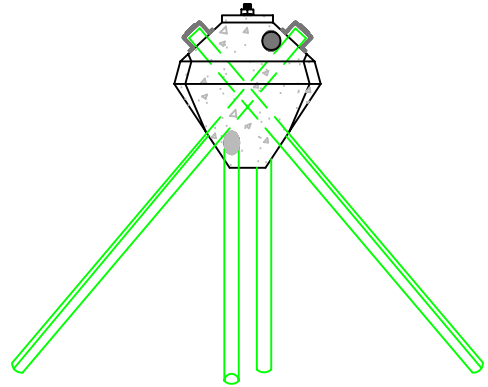
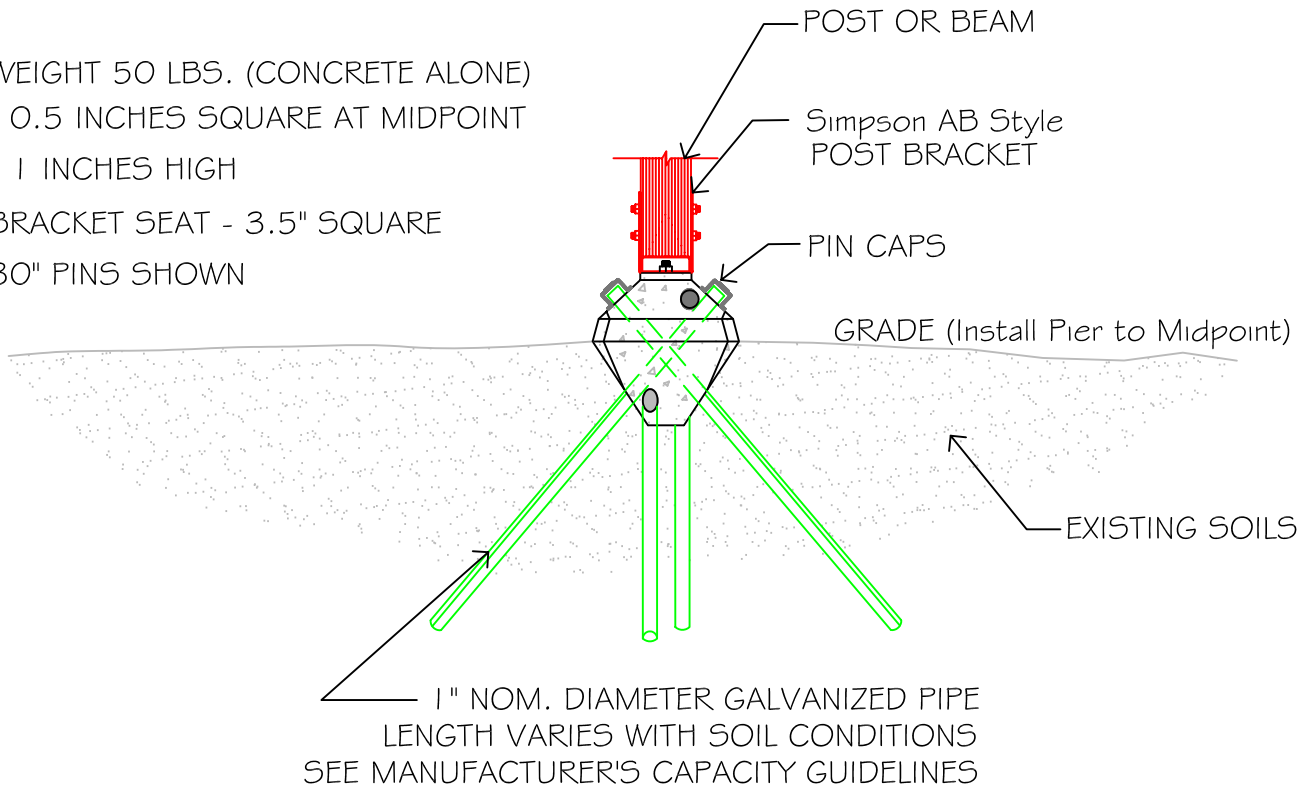


PLAN VIEW W/ 30" PINS



ELEVATION W/ 30" PINS

WEIGHT 50 LBS. (CONCRETE ALONE)
 10.5 INCHES SQUARE AT MIDPOINT
 11 INCHES HIGH
 BRACKET SEAT - 3.5" SQUARE
 30" PINS SHOWN



DIAMOND PIER™ DP-50

US PAT. #5039256 & #6578333

COPYRIGHT: ©2005
 ALL DETAILS IN WHOLE, OR IN PART,
 OR ANY PORTION THEREOF ARE COPYRIGHTED
 BY PIN FOUNDATIONS, INC. AND MAY BE USED
 BY THE RECIPIENT OR THEIR ASSIGNS FOR
 PROJECT APPLICATIONS ONLY.

PIN FOUNDATIONS, INC.
 8607 58th AVE. NW
 GIG HARBOR, WASHINGTON 98332
 (253) 858-8809